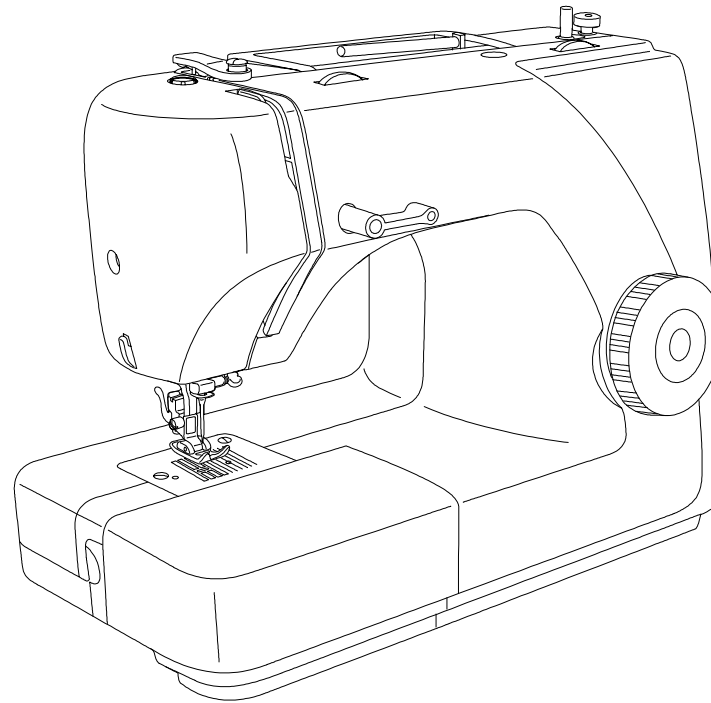


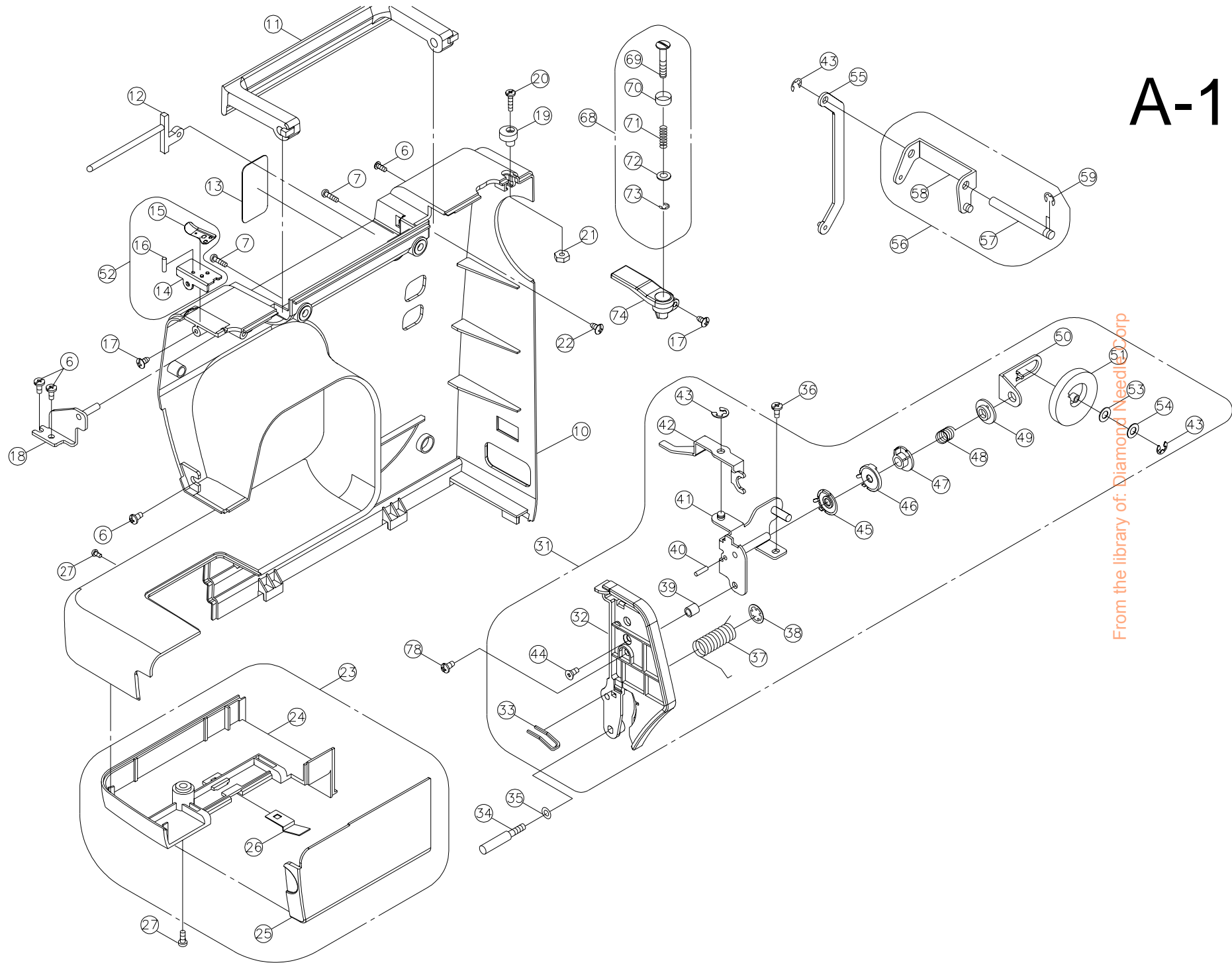
Parts List



From the library of: Diamond Needle Corp

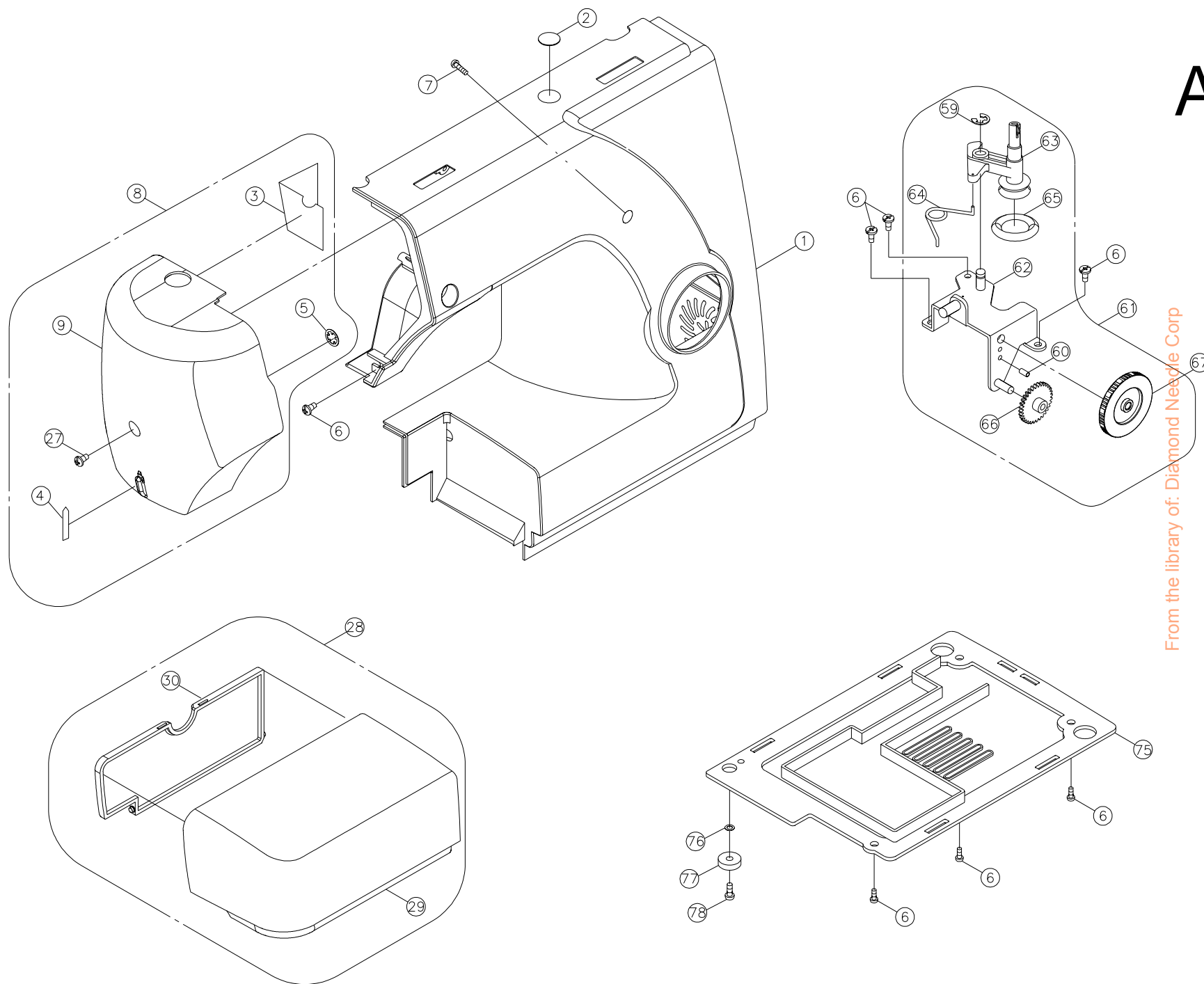
SINGER
Model 1507

A-1



From the library of: [Diamond Needle Corp](#)

A-2



From the library of: Diamond Needle Corp

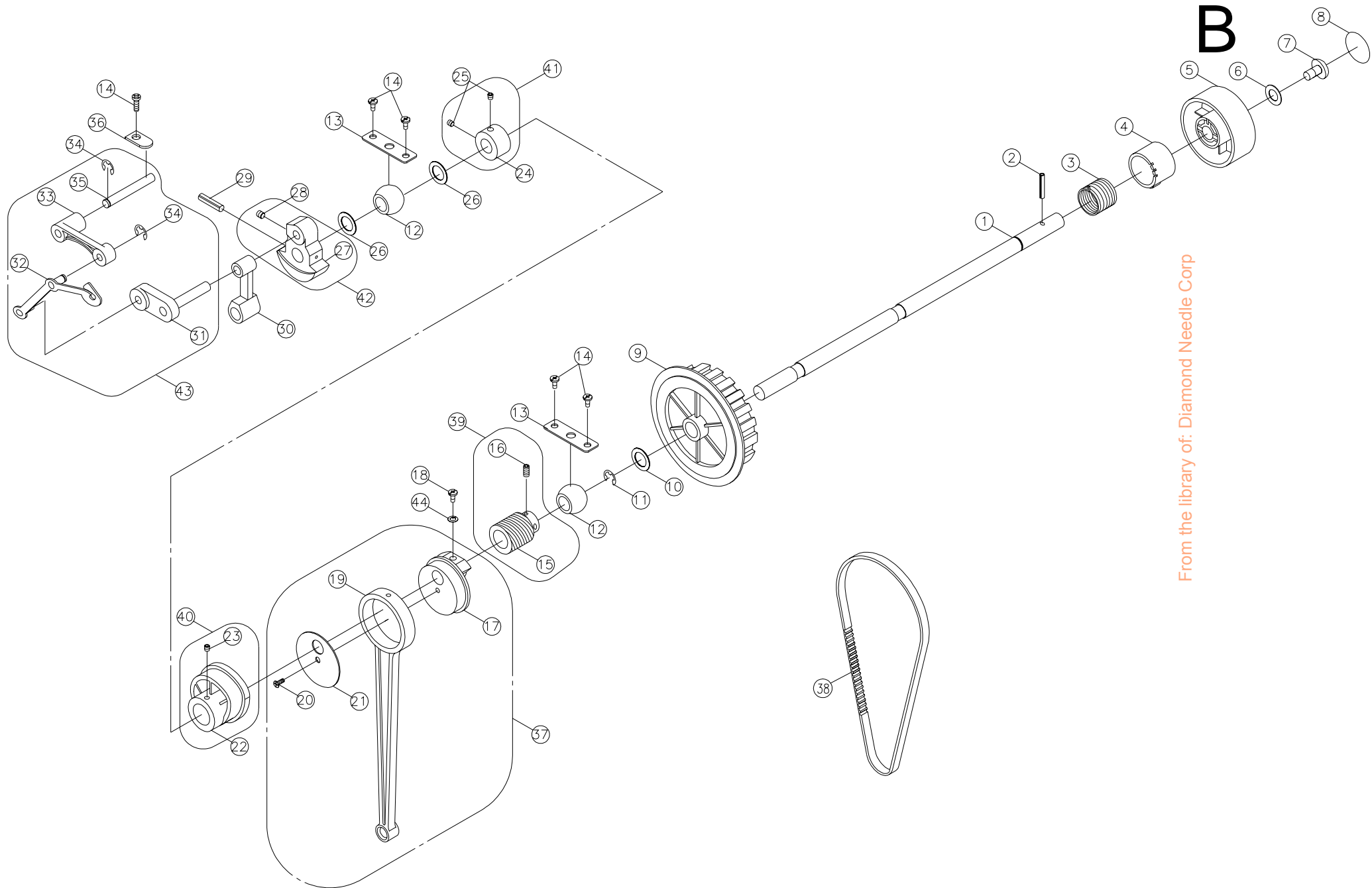
No.	Part No.	Description
1	V886253210	Front cover
2	V61503210	Plate (1)
3	V880323000	Heat resistant plate
4	V630593000	Thread cutter
5	003020053	Washer (CS-5)
6	004240106	Set screw (M4*8 A)
7	004240306	Set screw (M4*10 B)
8	V887194210	Face plate complete
9	V887193210	Face plate
10	V886263210	Back cover
11	V880083210	Handle
12	V610443210	Spool pin
13	V880353210	Plate
14	V880233001	Thread guide
15	V880243001	Thread guide spring plate
16	003042006	Hand wheel bushing pin (φ2*6*0.4)
17	004230215	Set screw (M3*8.5B)
18	V61253006	Handle bracket
19	E1A2393000	Bobbin winder stopper
20	004106162	Set screw (9/64*40*16 B)
21	004706013	Nut (9/64*40 t=3)
22	004230646	Set screw (M3*16.7 B)
23	V880034000	Free arm base complete
24	V880033210	Bed cover
25	V880043210	Hook cover
26	R12453003	Hook cover spring
27	004240046	Set screw (M4*10 B)
28	V880065210	Sewing table complete
29	V880063210	Sewing table body
30	V880073210	Sewing table body cover
31	V883064210	Dial tension supporter plate complete
32	V886283210	Dial tension supporter plate cover
33	V61873001	Thread guide
34	004240982	Set screw (M4)
35	004300136	Washer (4.2*8*0.8)
36	004240056	Set screw (M4*6 B)

No.	Part No.	Description
73	003010036	E-Ring (ETW-3)
74	V886273210	Bobbin winder thread guide base
75	V61383323	Plate
76	004301133	Washer (4.2*20*1)
77	J31413000	Free arm base felt
78	004240746	Set screw (M4*18 B)

No.	Part No.	Description
37	V60303000	Thread guide spring
38	003020453	Thread guide spring washer (C-4.5)
39	H11103001	Dial tension guide spring tube
40	003043010	Hand wheel bushing pin (φ3*10)
41	V60243002	Dial tension supporter plate
42	V880203003	Dial tension waft plate
43	003010043	E-ring (ETW-4)
44	004240176	Set screw (M4*6)
45	J30433001	Dial tension disc (2)
46	J30423001	Dial tension disc (1)
47	R10593000	Dial tension spring regulator
48	NB1083000	Dial tension spring
49	K50193000	Dial tension regulator
50	V60273006	Dial tension spring plate
51	V887783210	Dial tension knob
52	V880235000	Thread guide complete
53	004500360	Washer (WW-5)
54	004300643	Washer (5.2*10*0.5)
55	V61043003	Rod
56	V70084000	Zig zag width regulating cam box
57	V70103003	Zig zag cam contact supporter shaft
58	V70093003	Zig zag regulator crank
59	003010053	E-Ring (ETW-5)
60	003043008	Spring pin (φ3*8*0.6)
61	V883074210	Bobbin winder frame complete
62	V61125006	Bobbin winder frame
63	V61165000*	Bobbin winder crank complete
64	V61563003*	Bobbin winder crank spring
65	F20213000*	Bobbin winder rubber pulley
66	V61183000	Feed regulator gear
67	V889283210	Feed regulator dial
68	V886274210	Bobbin winder thread guide complete
69	V880173001	Bobbin winder thread guide adjusting screw
70	V880183001	Bobbin winder spring disc
71	V880193000	Bobbin winder thread guide spring
72	004301146	Washer (φ4.2*8*1)

From the library of: Diamond Needle Corp

* means: These spare parts are not supplied individually, but can be obtained by minimum quantity at 300 pcs.



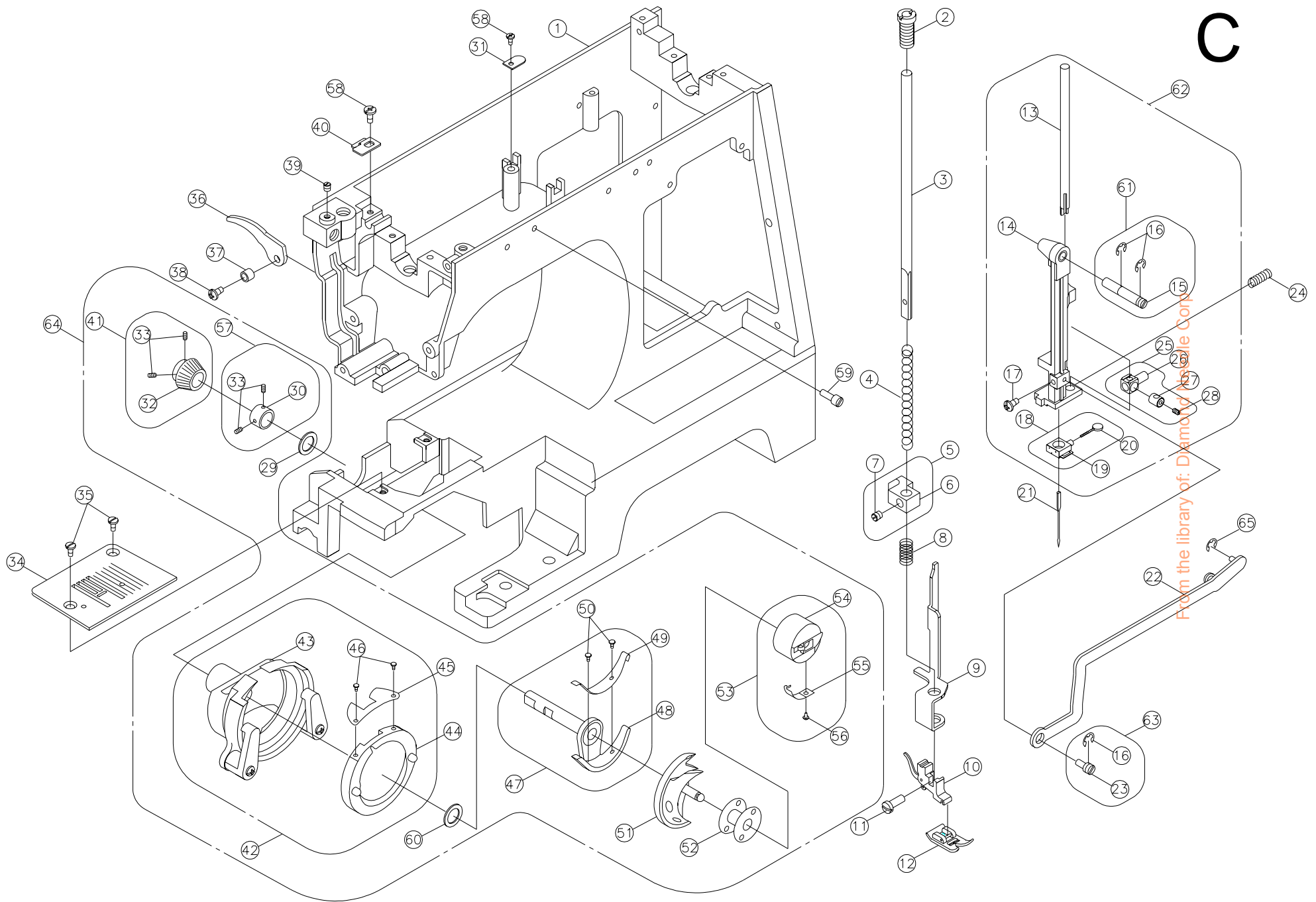
From the library of: Diamond Needle Corp

No.	Part No.	Description
1	V 6 0 0 3 3 0 0 0	Arm shaft
2	0 0 3 0 4 3 0 1 8	Spring pin (φ3*18)
3	R 1 0 3 9 3 0 0 0	Arm shaft clutch annulus spring
4	R 1 0 4 0 3 0 0 0	Arm clutch collar
5	V 8 8 0 0 9 3 2 1 0	Hand wheel
6	0 0 4 3 0 0 5 8 6	Hand wheel washer (5.2*16*1)
7	0 0 4 2 5 0 3 4 6	Hand wheel set screw (M5*10)
8	V 1 6 8 9 3 2 1 0	Hand wheel decorated plate
9	E 4 A 0 1 4 3 2 1 0	Arm shaft drive belt pulley
10	0 0 4 3 0 0 8 5 3	Washer (10.2*15*0.5)
11	0 0 3 0 1 0 0 9 3	E-ring (ETW-9)
12	R 1 0 2 9 3 0 0 0	Arm shaft bushing
13	V 6 0 1 1 3 0 0 3	Arm shaft bushing holder plate
14	0 0 4 2 4 0 1 0 6	Set screw (M4*8 A)
15	V 6 0 0 9 3 0 0 0	Arm shaft worm
16	0 0 4 2 4 0 0 3 3	Set screw (M4*5 C)
17	V 6 0 0 5 3 0 0 0	Crank connecting rod cam
18	0 0 4 1 0 7 0 6 3	Set screw (11/64*40*12)
19	V 6 0 0 6 3 0 0 0	Crank connecting rod
20	0 0 4 2 4 0 0 5 6	Set screw (M4*6 B)
21	V 6 0 0 7 3 0 0 3	Crank connecting rod cover
22	G 4 A 0 5 3 3 0 0 0 *	Feed cam
23	0 0 4 2 4 0 5 0 3 *	Set screw (M4*4 C)
24	R 1 0 3 1 3 0 0 0	Arm shaft collar
25	0 0 4 2 5 0 2 0 3	Set screw (M5*5 C)
26	0 0 4 4 0 0 0 8 0	Endure attrition washer (10.2*16*0.5)
27	V 6 1 4 7 3 0 0 0	Arm shaft balance
28	0 0 4 2 4 0 2 2 3	Set screw (M4*6 C)
29	0 0 3 0 4 3 5 2 4	Arm shaft balance pin (φ3.5*24)
30	F 4 A 3 3 4 3 0 0 0	Needle bar crank rod
31	V 1 0 5 4 3 0 0 0	Arm shaft balance pin
32	E 1 A 2 5 1 3 0 0 1	Thread take up lever
33	V 1 0 5 2 3 0 0 0	Thread take up lever supporter
34	0 0 3 0 1 0 0 4 3	E-ring (ETW-4)
35	V 6 0 2 2 3 0 0 3	Thread take up lever supporter shaft
36	H 1 3 0 9 3 0 0 3	Thread take up lever supporter Plate

No.	Part No.	Description
37	V 6 0 0 4 5 0 0 0	Crank connecting rod complete
38	0 0 7 1 5 6 4 7 0	Motor drive belt (B156XXL6.1)
39	V 6 0 0 9 3 0 0 0	Arm shaft worm complete
40	G 4 A 0 5 3 5 0 0 0	Feed cam complete
41	R 1 0 3 0 4 0 0 0	Arm shaft collar complete
42	V 6 1 4 7 5 0 0 0	Arm shaft balance complete
43	E 1 A 2 5 3 4 0 0 0	Thread take up lever complete
44	0 0 4 6 0 0 0 2 6	Washer (4.2*7.2*1.2)

From the library of: Diamond Needle Corp

"*"means: These spare parts are not supplied individually, but can be obtained by minimum quantity at 300 pcs.



From the library of: Diamond Scale Corp

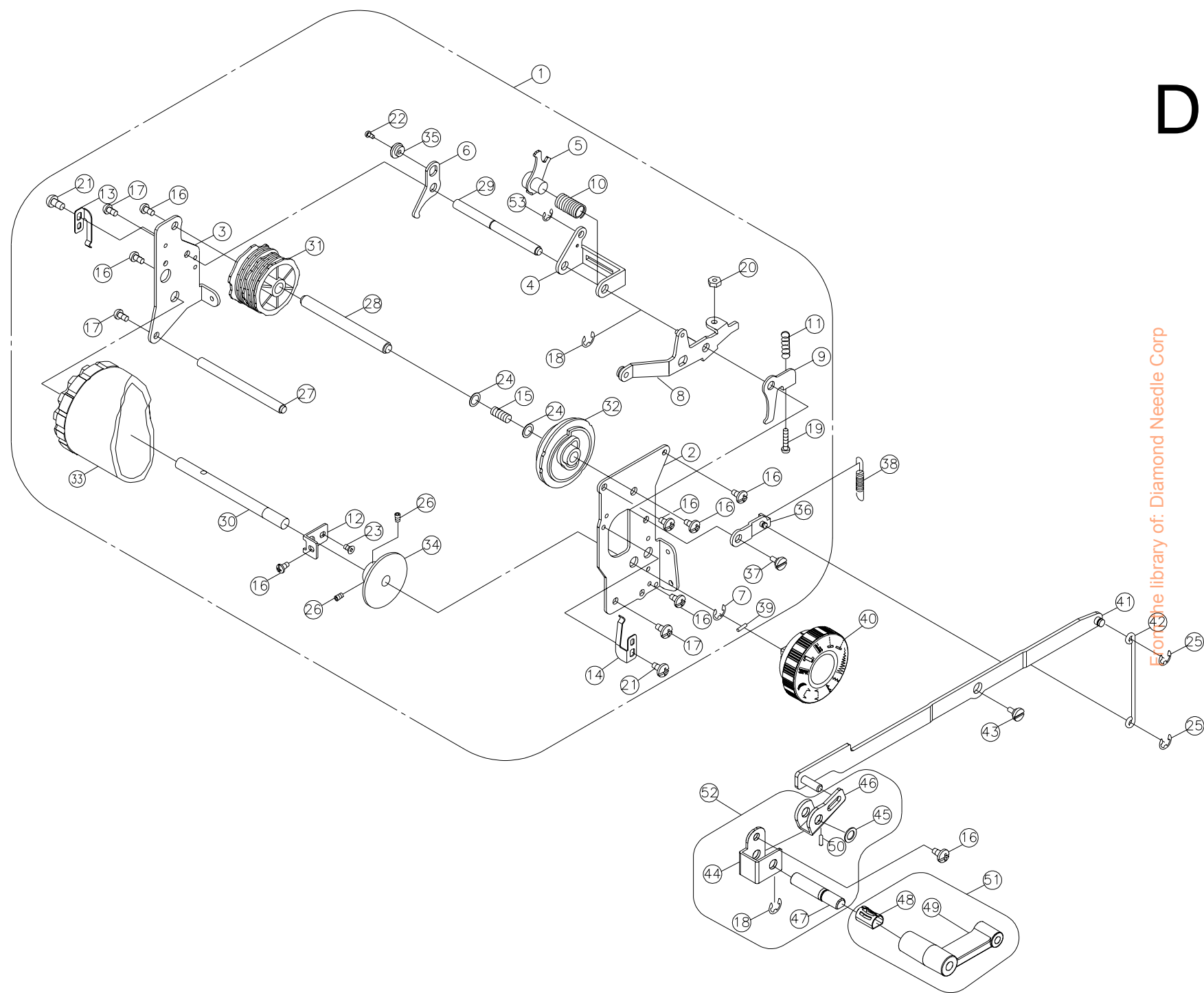
No.	Part No.	Description
1	V880163000	Arm Bed
2	V620163210	Presser bar regulating screw
3	V70153002	Presser bar
4	V70163003*	Presser bar spring
5	H10525000	Presser bar bracket complete
6	H10533002	Presser bar bracket
7	004260023	Set screw (M6*5 C)
8	H10723003*	Tension regulating lifter spring
9	V60153003	Tension lever lifter
10	006910008	Shank complete
11	004106211	Shank complete screw (SM9/64 40*7)
12	006806008	Zig zag presser foot complete (J)
13	V70273000	Needle bar
14	V61973002	Needle bar supporter
15	N80223003	Needle bar supporter pin
16	003010053	E-ring (ETW-5)
17	004106233	Set screw (9/64*40*5 A)
18	G10245000	Needle clamp complete
19	TA11033002	Needle clamp
20	G10176002	Needle clamp set screw
21	006176008	Needle
22	V70023003	Needle bar driving rod
23	M30083000	Needle bar driving rod pin
24	H50583003*	Needle bar supporter spring
25	H10195000*	Needle bar bracket complete
26	H10253000*	Needle bar bracket (1)
27	H10263000*	Needle bar bracket (2)
28	004240503*	Set screw (M4*0.7*4 C)
29	004400210	Endure attrition washer (8.2*16*0.5)
30	H71153003	Shuttle driver shaft collar
31	H13093003	Set washer
32	V620233000	Shuttle driver shaft gear
33	004107293	Set screw (11/64*40*4C)
34	V620033001	Needle plate
35	004240851	Needle plate complete set screw (M4*6)
36	V880153000	Presser bar lifter lever

No.	Part No.	Description
37	V60163000	Presser bar lifter lever screw washer
38	004240046	Set screw (M4*10 B)
39	004240033	Set screw (M4*5 C)
40	V60143003	Tension lever regulating plate
41	V620235000	Shuttle driver shaft gear
42	V10995000	Open shuttle race complete
43	V11003002*	Open shuttle race
44	V11573001*	Shuttle holder
45	V11583002*	Shuttle holder spring
46	H71093003*	Shuttle holder spring screw
47	K81125000	Shuttle driver complete
48	K81123002*	Shuttle driver
49	K81143003*	Shuttle driver spring
50	004103043*	Shuttle driver spring screw
51	H71173000	Shuttle hook (4.6mm)
52	006066008	Bobbin
53	H71185000	Bobbin case complete
54	H71186001*	Bobbin case
55	H13803001*	Bobbin case spring
56	H13973002*	Bobbin case spring set screw
57	H71155000	Shuttle driver shaft collar complete
58	004240106	Set screw (M4*8 A)
59	004106221	Shank complete screw (SM9/64 40 *8)
60	004400800	Endure attrition washer (7.6*12*0.13)
61	H50594000	Needle bar supporter pin complete
62	V60134000	Needle bar supporter complete
63	M30074000	Needle bar driving rod pin complete
64	V620234000	Shuttle holder complete
65	003010036	E-ring (ETW-3)

From the library of: Diamond Needle Corp

*** means: These spare parts are not supplied individually, but can be obtained by minimum quantity at 300 pcs.

D



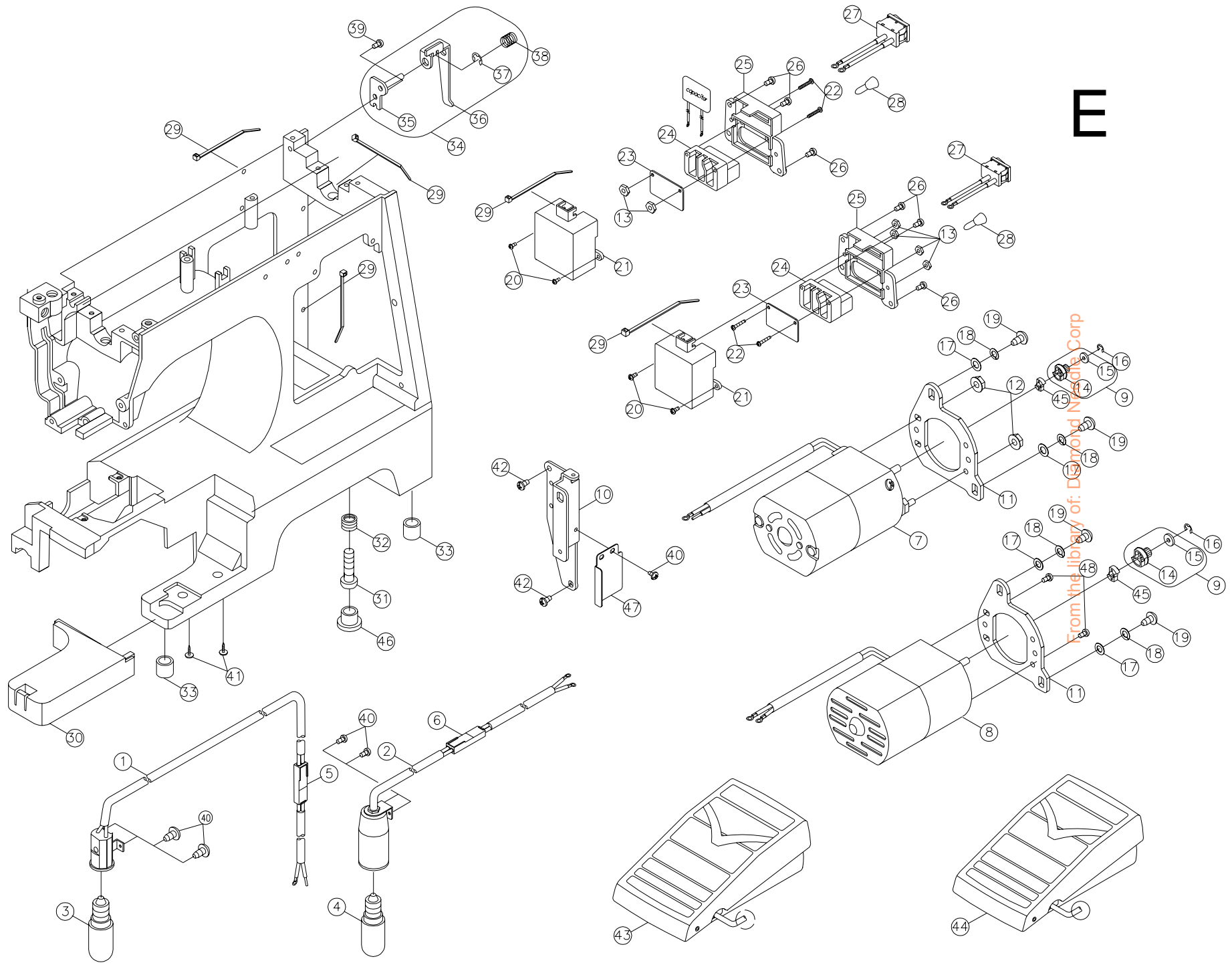
For the library of: Diamond Needle Corp

No.	Part No.	Description
1	V883054000	Pattern cam contact complete
2	V610053003	Pattern cam contact plate (front)
3	V60633005	Pattern cam contact plate (back)
4	V60703005	Zig zag cam contact supporter
5	V60713003	Zig zag cam contact
6	V60723003	Zig zag regulator plate
7	003010063	E-Ring (ETW-6)
8	V810073003	Feed regulator crank
9	V810153003	BH regulator plate
10	V10693003	Zig zag cam contact spring
11	V60813003	BH spring
12	V60853003	Pattern selector cam plate
13	V60873003	Pattern plate
14	V60883003	Feed regulator
15	V11603003	Pattern cam shaft spring
16	004240106	Set screw (M4*8 A)
17	004230016	Set screw (M3*6 A)
18	003010053	E-Ring (ETW-5)
19	004240706	Set screw
20	004840106	Regulate Set Nut (ALN-4)
21	004240056	Set screw (M4*6 B)
22	004230316	Set screw (M3*10 B)
23	004240166	Set screw (M4*8)
24	004300823	Washer (8.2*12*0.25)
25	003010036	E-Ring (ETW-3)
26	004240503	Set screw (M4*4 C)
27	V60823003	Pattern cam contact supporter shaft
28	V60643003	Pattern cam shaft
29	V60693000	Zig zag cam contact supporter shaft
30	V880303003	Pattern selector cam shaft
31	V90023000	Pattern cam
32	V60683000	Feed regulator cam
33	V810083000	Pattern selector cam
34	V60863000	BH pattern selector cam
35	V60733000	Zig zag regulator nut
36	V610063003	Rever plate

No.	Part No.	Description
37	004230583	Set screw
38	M70093000	Spring
39	003043018	Hand Wheel bushing pin($\phi 3 \times 18 \times 0.6$)
40	V888283210	Pattern Selector dial
41	V880283006	Reverse lever
42	V610093003	Reverse rod
43	004240883	Reverse lever set screw (M4)
44	V880273006	Reverse knob shaft mounting plate
45	004400260	Washer(6.2*14*0.13)
46	V880263006	Reverse connecting plate
47	V880253006	Reverse knob shaft
48	003566003	Selector dial spring
49	V883023210	Reverse knob
50	004240223	Set screw (M4*6 C)
51	V883024210	Reverse knob complete
52	V880254000	Reverse knob shaft complete
53	003010043	E-Ring (ETW-4)

From the library of: Diamond Needle Corp

"" means: These spare parts are not supplied individually, but can be obtained by minimum quantity at 300 pcs.



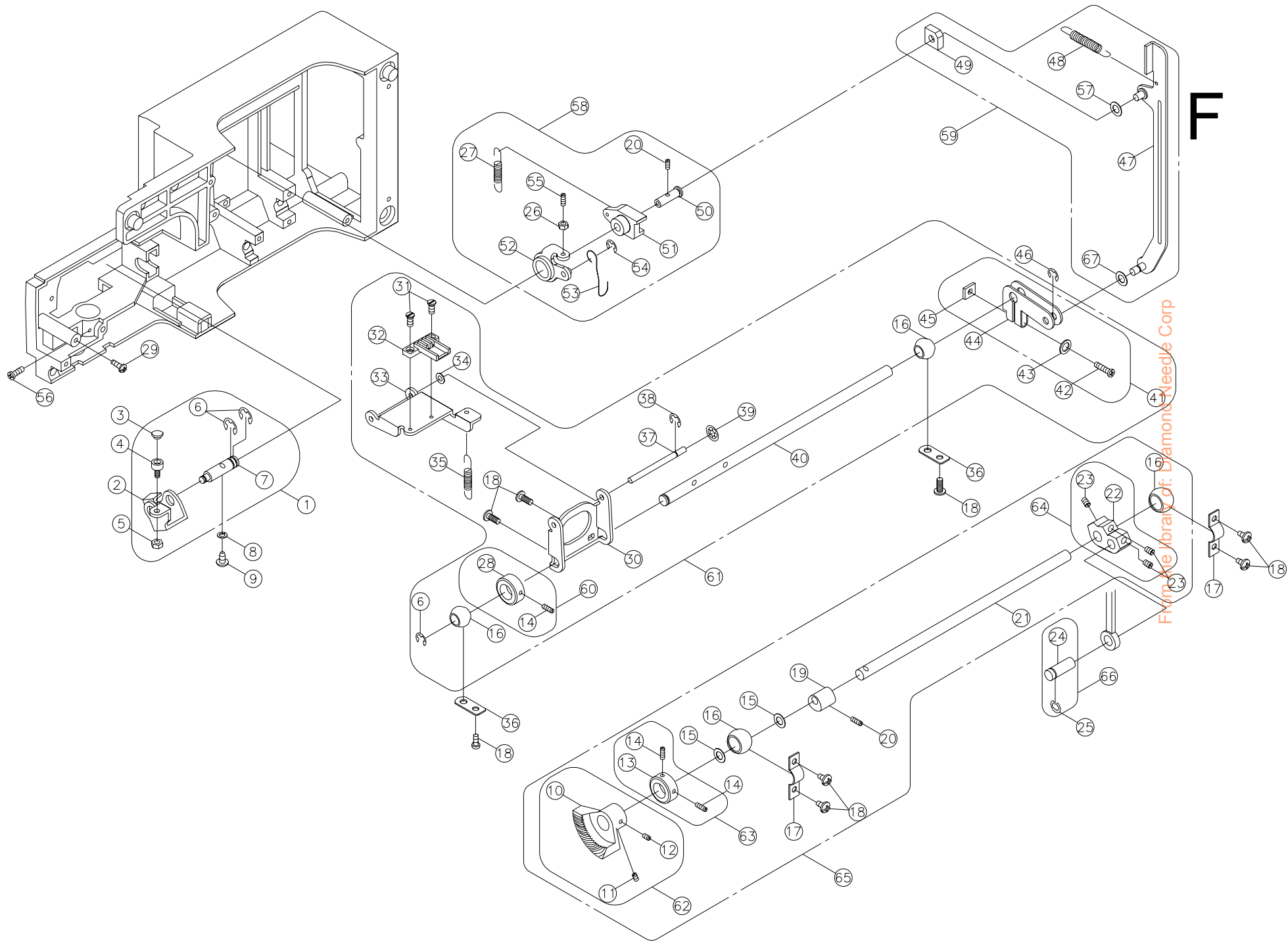
E

From the library of: Durohold Machine Corp

No.	Part No.	Description
1	002433418	Lampholder complete (only for 120V)
2	002423118	Lampholdercomplete(only for 220V-240V)
3	005120021	Lamp(120V 10W)
4	005240011	Lamp (240V 10W E-12)
5	002434618	Lead wire ass'y
6	002424118	Lead wire ass'y
7	001351109	Motor complete (for 120V)HF-7150
8	001164209	Motor complete (for 230V) HF-07250
9	002396028	Belt wheel complete
10	V61283006	Lamp bracket
11	002397025	Motor bracket
12	004840051	Nut (M4 t=5)
13	004830015	Nut (M3 t=2.3)
14	002396029*	Belt wheel
15	002145029	Motor feed regulator collar
16	003010036	E-Ring (ETW-3)
17	004300306	Washer (5.4*10*0.9)
18	004600296	Spring washer (5.2*9*1)
19	004250086	Set screw (M5*12)
20	004230286	Set screw (M3*8 B)
21	002248129	Receptacle holder cover
22	004230045	Set screw (M3*20)
23	002254129	Concent insulation plate
24	002253129	Receptacle
25	002252129	Receptacle holder
26	004240066	Set screw(M4*8)
27	002425118	Switch ass'y
28	AA0463000	End termind
29	002027129	Cord clip
30	V610293210	Free arm foot buse
31	K82133003	Base plate adjustment screw
32	K82073003	Base plate adjustment screw spring
33	H70043000	Free arm base cushion rubber
34	V61205003	Clutch rod complete
35	V61213003	Clutch rod plate
36	V61233003	Clutch rod

"*" means: These spare parts are not supplied individually, but can be obtained by minimum quantity at 300 pcs.

No.	Part No.	Description
37	003010046	E-Ring (E-4)
38	V61243003*	Clutch rod spring
39	004240056	Set screw (M4*6 B)
40	004230055	Set screw (M3*5 B)
41	004230795	Set screw (M3*8)
42	004240106	Set screw(M4*8 A)
43	001352109	Foot controller (KD1902)120V
44	001165209	Foot controller (KD2902)230V
45	008059302	Cushion rubber
46	E1A2503000	Free arm base cushion rubber
47	VG40123000	Gobo
48	004240385	Set screw (M4*10.2)



FYI: We /bray/ Of: Diamond Needle Corp

F

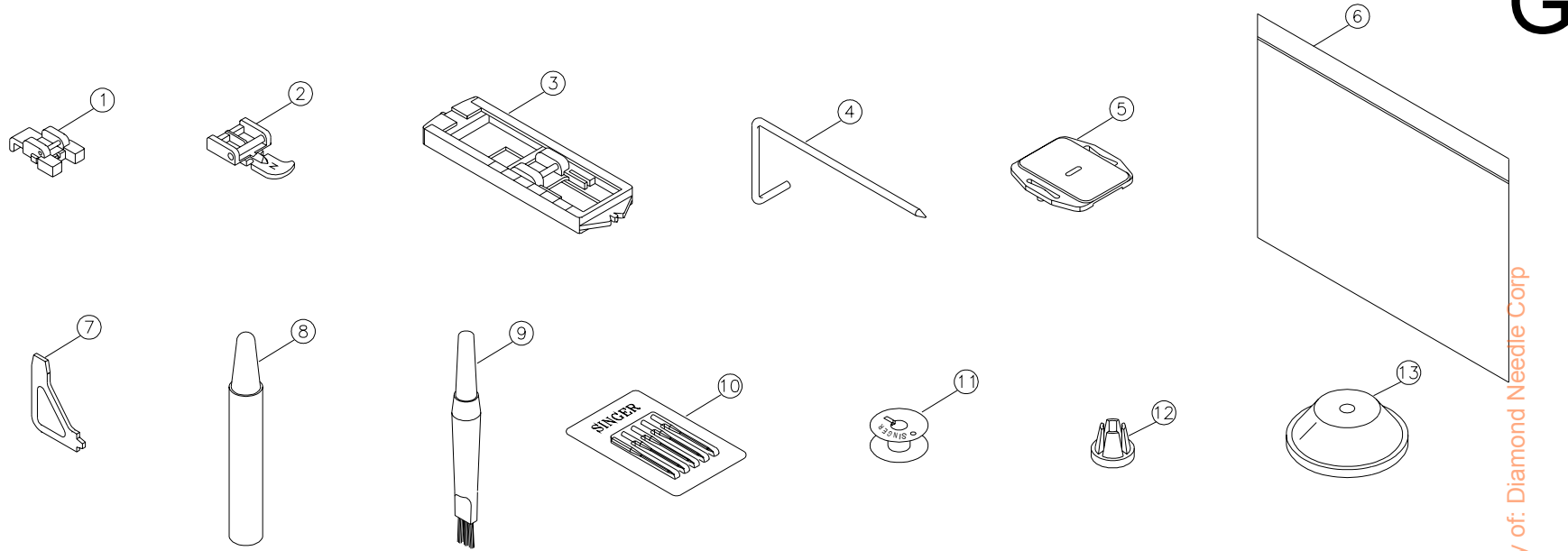
No.	Part No.	Description
1	V60574000	Feed lifting rock crank complete
2	V60583003	Feed lifting rock crank
3	K81243000*	Sew screw knob
4	004250323	Sew screw
5	004840022	Nut (M4 t=3)
6	003010063	E-Ring (ETW-6)
7	V60593003	Feed lifting rock shaft
8	004600026	Washer (4.2*7.2*1.2)
9	004240146	Set screw (M4*15)
10	V620073000*	Lower shaft gear
11	004111043	Lower shaft gear set screw
12	004111033	Lower shaft gear set screw
13	V11553003	Lower shaft collar
14	004240503	Set screw (M4*4)
15	004400410	Endure attrition washer
16	V60343000	Feed rock bushing
17	R11643003	Feed rock bushing holder plate
18	004240106	Set screw (M4*8)
19	V61533000	Feed lifting rock cam
20	004240033	Set screw (M4*5)
21	V620223000	Lower shaft
22	V60363000	Crank connecting rod crank
23	004250203	Set screw (M5*5)
24	V10833003	Crank connecting rod crank pin
25	003010053	E-Ring (ETW-5)
26	004706013	Nut (9/64*40 t=3)
27	V70063003*	Feed regulating spring
28	H11943003	Pattern cam shaft collar
29	004250346	Set screw (M5*10A)
30	V60493003	Feed rock frame
31	004104012	Set screw (1/8*44*5)
32	V620053000	Feed dog
33	V60503003	Feed dog frame
34	004300136	Washer (4.2*8*0.8)
35	V60533003	Feed dog frame spring
36	V60563003	Bushing holder plate

No.	Part No.	Description
37	V60513003	Feed dog frame shaft
38	003010036	E-Ring (ETW-3)
39	003090043	Nut (SPN-4)
40	V60483000	Feed rock shaft
41	V60544000	Feed rock crank complete
42	004240146	Set screw (M4*15 B)
43	004300093	Washer (4*8*0.5)
44	V60553003	Feed rock crank
45	004840073	Feed rock crank Nut (M4)
46	003010043	E-Ring (ETW-4)
47	V60453003*	Fork rod
48	V60463003*	Fork rod spring
49	V11533000	Feed regulating block
50	V60443000	Feed regulating shaft
51	V60433000	Feed rdgulating
52	V60393003	Feed regulating plate
53	V60423003*	Feed rod
54	003010046	E-Ring (E-4)
55	004106053	Set screw (9/64*40*11)
56	004240046	Set screw (M4*10B)
57	004400180	Endure attrition washer
58	V60384000	Feed rdgulating complete
59	V60454000	Fork rod complete
60	H11935000	Pattern cam shaft collar complete
61	V60474000	Feed rock shaft complete
62	V620075000	Lower shaft gear complete
63	V11564000	Lower shaft collar complete
64	V60354000	Crank connecting rod crank complete
65	V620224000	Lower shaft complete
66	V10835000	Crank connecting rod crank pin complete
67	004400450	Endure attrition washer

From the library of: Diamond Needle Corp

"**" means: These spare parts are not supplied individually, but can be obtained by minimum quantity at 300 pcs.

Standard accessories



G

From the library of: Diamond Needle Corp

Optional accessories

